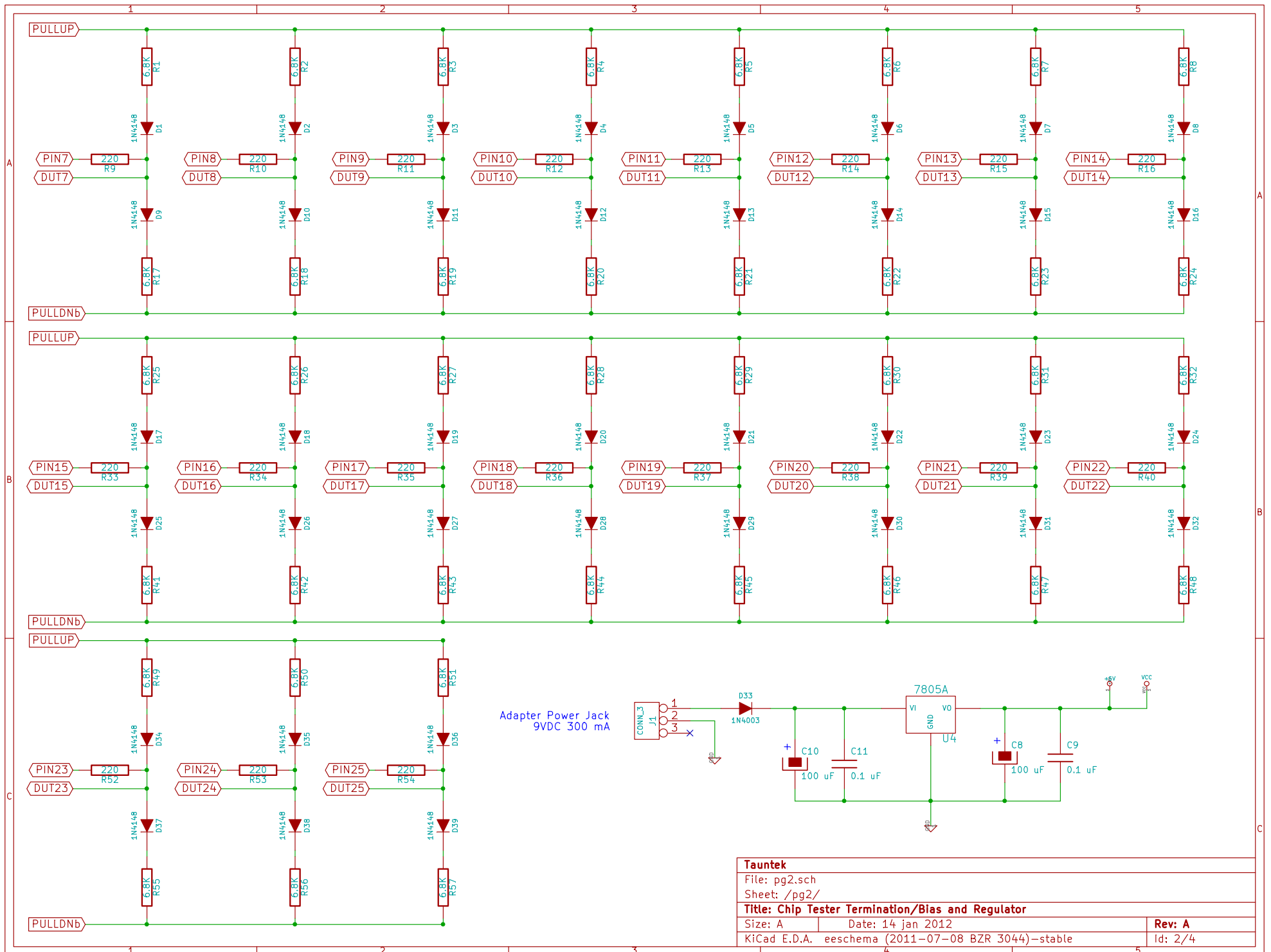


Sheet: pg2
File: pg2.sch

Sheet: pg3
File: pg3.sch

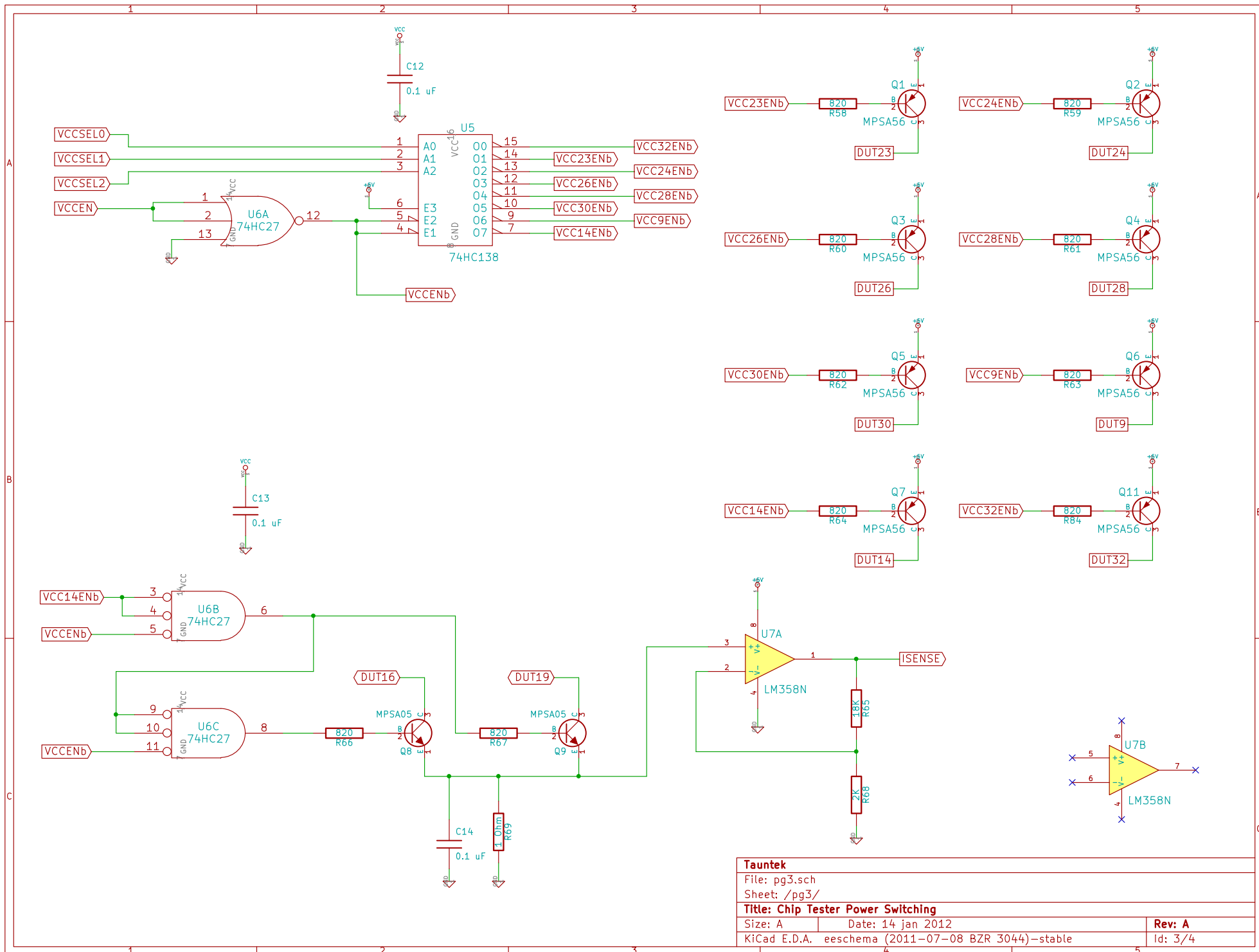
Sheet: pg4
File: pg4.sch

Designer: R. Grieb	
Tauntek	
File: chiptest.sch	
Sheet: /	
Title: Chip Tester Microcontrollers & Serial Interface	
Size: A	Date: 14 jan 2012
KiCad E.D.A. eschema (2011-07-08 BZR 3044)-stable	
Rev: A	
Id: 1/4	

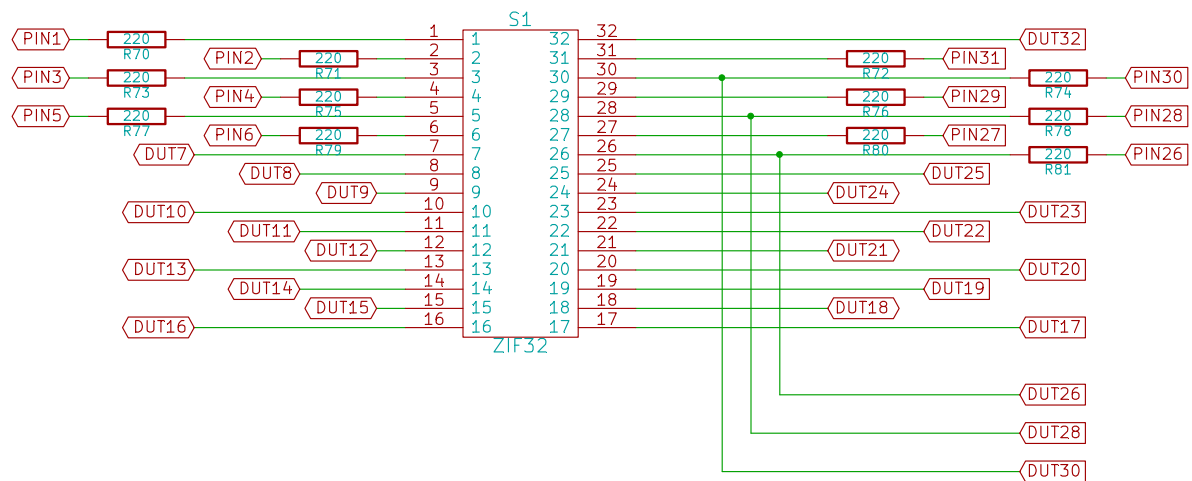


Adapter Power Jack
9VDC 300 mA

Tauntek		
File: pg2.sch		
Sheet: /pg2/		
Title: Chip Tester Termination/Bias and Regulator		
Size: A	Date: 14 jan 2012	Rev: A
KiCad E.D.A. eschema (2011-07-08 BZR 3044)-stable		Id: 2/4



Tauntek		
File: pg3.sch		
Sheet: /pg3/		
Title: Chip Tester Power Switching		
Size: A	Date: 14 jan 2012	Rev: A
KiCad E.D.A. eeschema (2011-07-08 BZR 3044)-stable		Id: 3/4



Tauntek		
File: pg4.sch		
Sheet: /pg4/		
Title: Chip Tester		
Size: A	Date: 14 jan 2012	Rev: A
KiCad E.D.A. eeschema (2011-07-08 BZR 3044)-stable		Id: 4/4